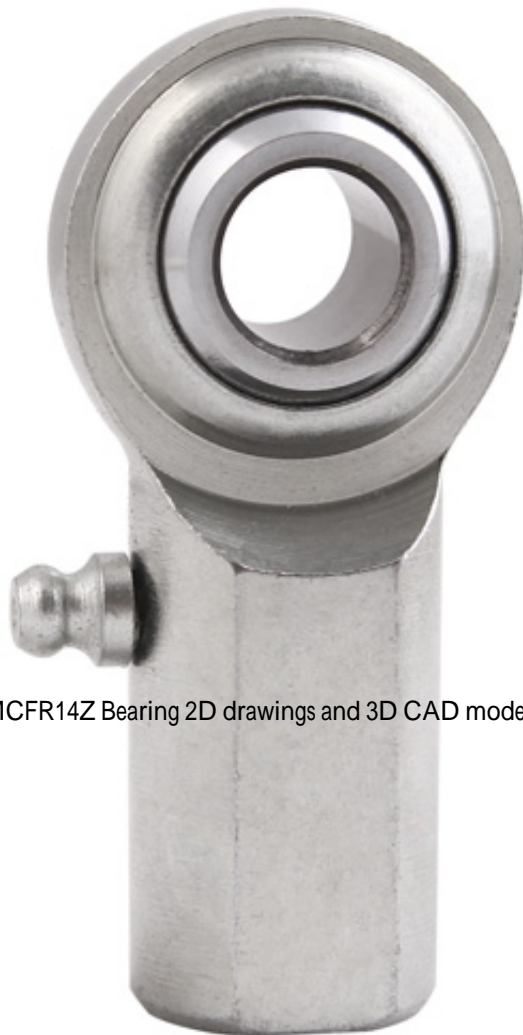




BEARING-SINGAPORE (PTE)LTD.

QA1 Precision Products MCFR14Z Bearings Spherical Rod Ends

Bearing No. MCFR14Z



MCFR14Z Bearing 2D drawings and 3D CAD models

d	14 mm
housing material:	Carbon Steel - corrosion resistant plating
misalignment angle:	21 °
ball material:	52100 BEARING STEEL HEAT TREATED CHROME PLATE
shank thread length:	27
lubrication:	Unlubricated
rod end type:	Female Threaded
head diameter:	34.75 mm
shank thread size:	M14 x 2.0
head width:	12.25 mm
thread direction:	Right Hand
ball width:	19 mm
grade:	Commercial/Industrial
length to ball center:	57 mm
lubrication type:	With Lubrication Fitting
series:	MC